

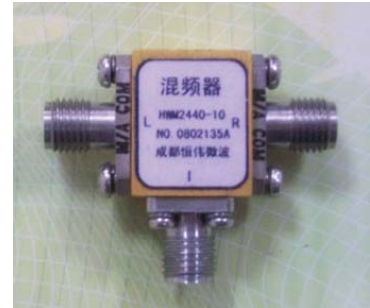


HENGWEI MICROWAVE

# DOUBLE & TRIPLE -BALANCED MIXER

## HWM740/740C

- ◆ Operating frequency range: 7~40GHz
- ◆ Small size, flexible and multiform structure
- ◆ Mature technology, stable and reliable performances
- ◆ LO DRIVE : +13dBm(nominal)



### Guaranteed Specification<sup>1,2</sup>

Characteristics	Min.	Typ.	Max.	Test Conditions
Frequency Range				
RF	7GHz		40GHz	
LO	7GHz		40GHz	
IF	Dc		10GHz	
Isolation				
L to R		35dB		
R to I		20dB		
L to I		40dB		
Conversion Loss		10dB		
Noise Figure (SSB)		10dB		
1 dB Compression		13dBm		
IP3 (Input)		20dBm		
IP2 (Input)		45dBm		

Notes:

1. Measured in a 50-ohm system with nominal LO drive and downconverter application only, unless otherwise specified.

2. Typical values are measured at +25°C.



HENGWEI MICROWAVE

# DOUBLE & TRIPLE-BALANCED MIXER

## HWM740/740C

### Absolute Maximum Ratings

Operating Temperature:  $-40^{\circ}\text{C}$  to  $+85^{\circ}\text{C}$

Storage Temperature:  $-65^{\circ}\text{C}$  to  $+150^{\circ}\text{C}$

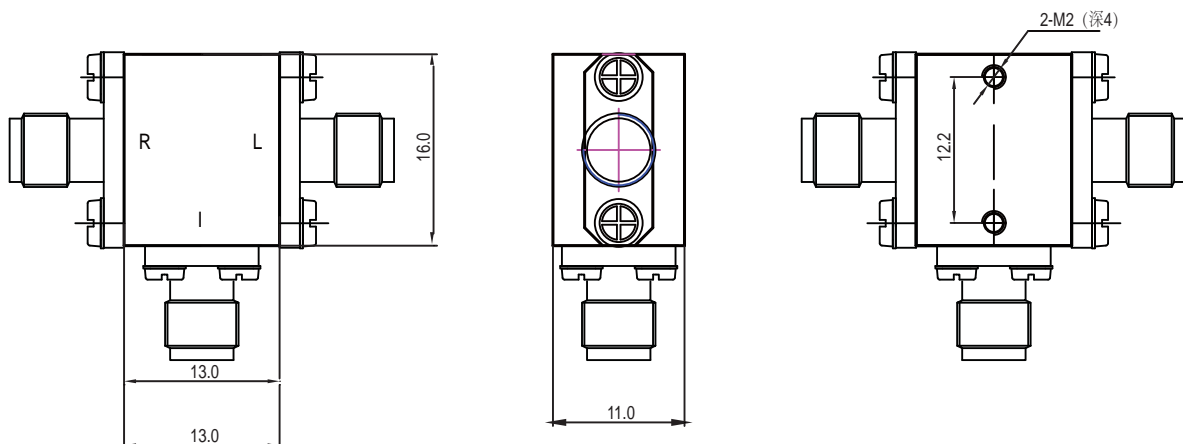
Peak Input Power:  $+26\text{dBm}$  max. at  $+25^{\circ}\text{C}$   $+23\text{dBm}$  max. at  $+100^{\circ}\text{C}$

Peak Input Current at  $25^{\circ}\text{C}$ : 100mA DC

Weight HWM740/740C: 35grams max.

### Outline Drawings

HWM740/740C



DIMENSIONS ARE IN MILLIMETERS